

# **Dunnell Engines**

**RMP/4 - 1340  
Duratec Water Outlet  
Manifold Kit**

## **APPLICATION:**

**Duratec 1.8 / 2.0 / 2.3 / 2.4**

**Tel +44 (0)1449 677726**

**Fax +44 (0)1449 770539**

**e-mail [Info@dunnellengines.com](mailto:Info@dunnellengines.com)**

**[www.dunnellengines.com](http://www.dunnellengines.com)**

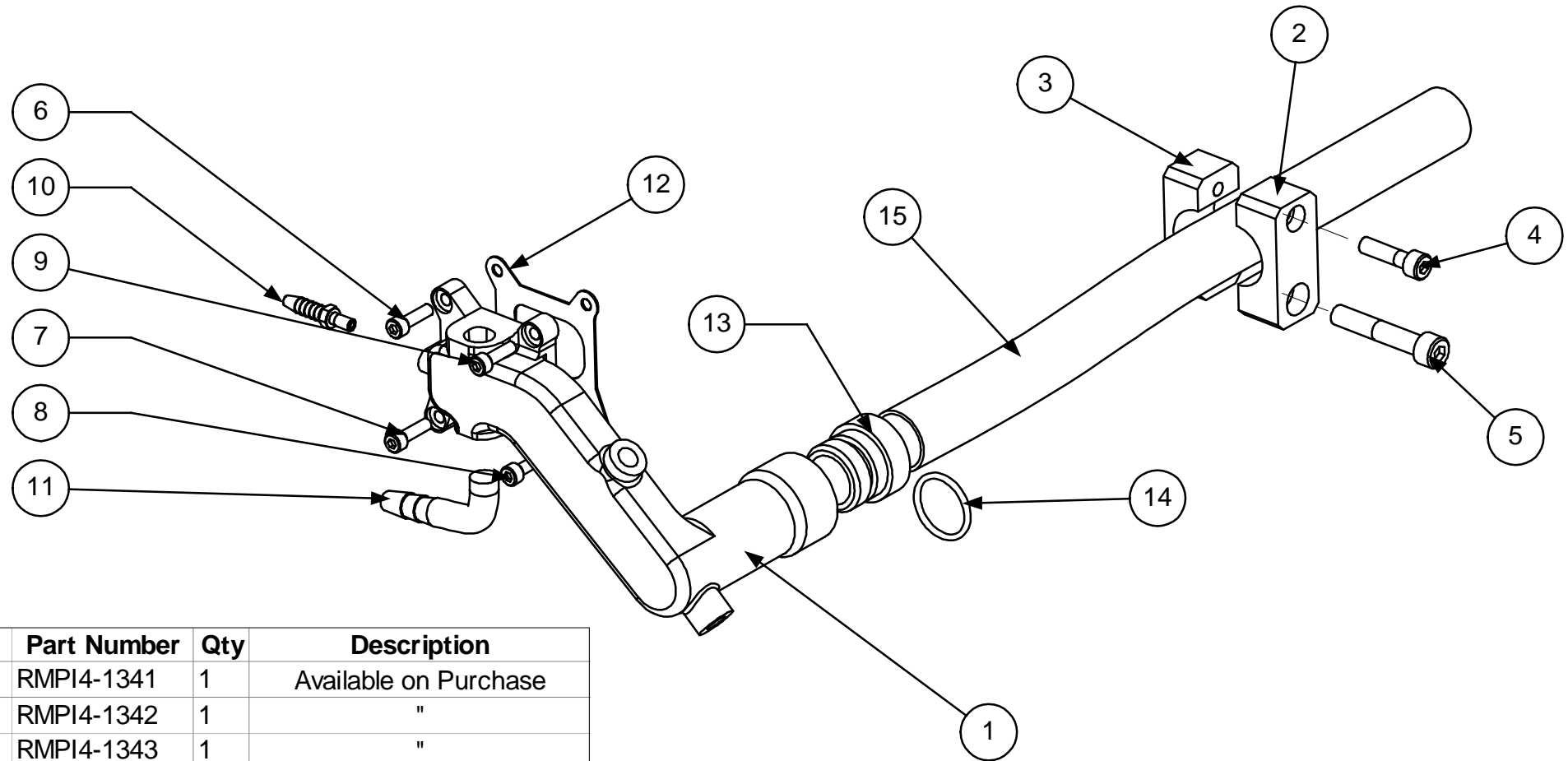
*Partners: M. Dunnell & P. Dunnell  
Unit 10, TOMO Business Park, Creting Road, Stowmarket  
Suffolk, IP14 5AY. England*

**December 2008**

This kit has been designed as a compact installation, offering an alternative to the standard water outlet housing. Various outlet pipes are available, or can be made to special order so as to cover a wide range of applications.

Its low line installation is optimised for use with a header tank system, thus ensuring the best possible temperature control. Tapings are provided for various sensor outlets on the housing. Also provided is a heater outlet and bleed take off.





Item No.	Part Number	Qty	Description
1	RMPI4-1341	1	Available on Purchase
2	RMPI4-1342	1	"
3	RMPI4-1343	1	"
4		1	"
5		1	"
6		1	"
7		1	"
8		1	"
9		1	"
10	RMPI4-1350	1	"
11	RMPI4-1352	1	"
12	I4-1630	1	"
13	RMPI4-1345	1	"
14	RMPI4-1346	1	"
15	RMPI4-1348-A	1	"

SHEET 1of1
SCALE 1:3
Dim - METRIC
Drawn:PD
19/01/09

Drwg No:	<b>DCA-08D-190-AA</b>
Description:	<b>RMPI4-1340</b> <b>Water Outlet Manifold Kit</b>
	<b>DUNNELL ENGINES®</b> Stowmarket - Suffolk - England